

大型立式烘干搅拌机

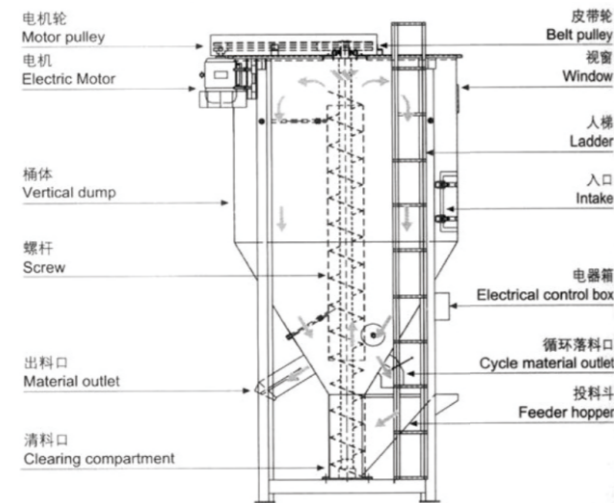
LARGE VERTICAL DRYING MIXER

性能特点 >>

1. 螺旋循环搅拌使得原料混合更加均匀、快捷。
2. 适用于各种塑料原料节色母的混合搅拌新、旧料及色母混合效果更佳。
3. 配有电控安全保护装置,确保操作安全。
4. 可定制烘干型。

1. Helical circular mixture fast and equal stirring.
2. Suitable for all kind of plastic raw material&colour.
3. Installed with power control device to ensure safety.
4. Drying a mixing type is available(optional).

结构简图 >>



技术参数 TECHNICAL PARAMETER

型号(KG) Model	主机功率 (KW) Power	加热功率 (KW) Heating Power	容量 (M3) Capacity	转速 (R/MIN) (R/MIN)	外形尺寸 (CM) Dimension	净重 (KG) Weight
300	3	15	0.75	370	110*205	260
500	3	15	1	370	120*240	420
1000	4	15	2	370	150*280	620
2000	5.5	15	4	370	185*310	1050
3000	7.5	15	6	370	200*360	1250
5000	7.5	15	10	370	245*410	2000
10000	11	24	20	340	300*510	2300
15000	15	24	30	340	320*600	5000

产品规格参数如有变动,恕不另行通知。
Specifications are subject to change without notice.

注: 380V/3相电
Note: 380V / 3 phase current

大型卧式混色机(可选烘干功能)

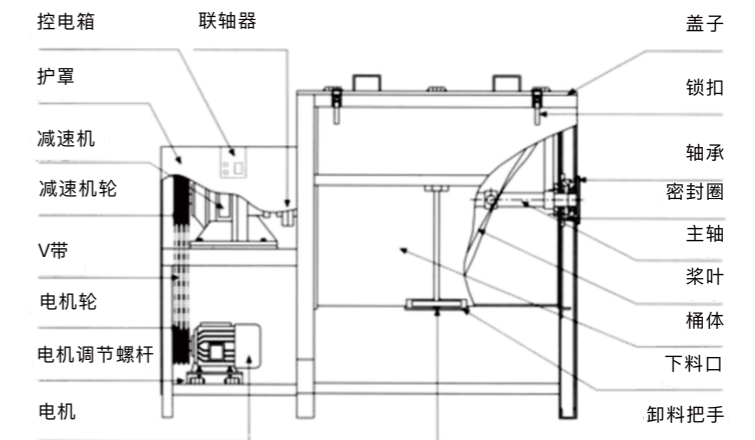
LARGE HORIZONTAL MIXER (OPTIONAL DRYING FUNCTION)



机器概述 >>

卧式拌机专为塑胶, 化工, 农业行业设计制造, 该系列机器有自动计时, 过流保护功能、耗电小、操作方便、故障小;混合效果均匀等优点。能确保每批塑胶的物性及颜色的确定性。广泛用于塑胶制粒、塑胶改性、再生塑料、塑胶色母等行业; 并可按客户要求制作各种量搅拌桶以及加装加热和自动送料装置。

Horizontal mixer is specially designed and manufactured for plastic, chemical and agricultural industries. This series of machines have automatic timing, over-current protection, low power consumption, convenient operation and small faults. Uniform mixing effect and the like. Can ensure the certainty of physical properties and color of each batch of plastic. Widely used in plastic granulation, plastic modification, recycled plastic, plastic color masterbatch and other industries; According to customer's requirements, we can make various mixing barrels and install heating and automatic feeding devices.



技术参数 TECHNICAL PARAMETER

型号(KG) Model	主机功率(KW) Power	加热功率(KW) Heating Power	外形尺寸(MM) Dimensions	混合量(KG) Capacity	转速(R/MIN) Rotating speed	电压(V) Voltage
300	4	9	2000*800*1500	300	35	380
500	5.5	12	2100*1000*1700	500	35	380
1000	11	18	2800*1300*2100	1000	35	380
2000	15	24	3400*1400*2400	2000	35	380
3000	18	28	3800*1600*2400	3000	35	380

产品规格参数如有变动,恕不另行通知。
Specifications are subject to change without notice.